

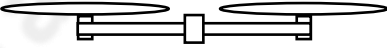
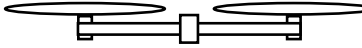
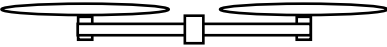
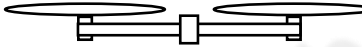
Nome: _____ nº: _____ T. _____ Data: _____

6.1.13a Valores Ocultos

1. Descubra que número está faltando em cada uma das operações:

<p>a) $\begin{array}{r} 1245 \\ + \quad \square \\ \hline 1288 \end{array}$</p>	<p>b) $\begin{array}{r} \square \\ + \quad 87 \\ \hline 342 \end{array}$</p>	<p>c) $\begin{array}{r} 32 \\ - \quad \square \\ \hline 20 \end{array}$</p>	<p>d) $\begin{array}{r} \square \\ - \quad 308 \\ \hline 32 \end{array}$</p>
<p>e) $\begin{array}{r} 8 \\ \times \square \\ \hline 24 \end{array}$</p>	<p>f) $\begin{array}{r} 65 \\ \square \\ \hline 13 \end{array}$</p>	<p>g) $\begin{array}{r} 3 \\ \square \\ \hline 415 \end{array}$</p>	<p>h) $\begin{array}{r} \square \\ \times \quad 5 \\ \hline 60 \end{array}$</p>

2. Descubra o valor oculto e deixe as balanças em equilíbrio:

<p>a) $20g + 30g$ $40g + xg$</p>  <p>_____</p>	<p>b) $35kg - 18kg$ $23kg - ykg$</p>  <p>_____</p>
<p>c) $200g + 150g$ $zg + 310g$</p>  <p>_____</p>	<p>d) $80kg - 60kg$ $wkg - 50kg$</p>  <p>_____</p>

3. Descubra os valores ocultos:

- a) $\underline{5} + \underline{\quad} \Rightarrow \underline{8} - \underline{6} \Rightarrow \underline{\quad}$
- b) $\underline{\quad} \times \underline{2} \Rightarrow \underline{22} + \underline{\quad} \Rightarrow \underline{26}$
- c) $\underline{14} : \underline{\quad} \Rightarrow \underline{2} \times \underline{\quad} \Rightarrow \underline{18}$
- d) $\underline{23} + \underline{9} \Rightarrow \underline{\quad} - \underline{15} \Rightarrow \underline{\quad}$
- e) $\underline{54} + \underline{2} \Rightarrow \underline{\quad} + \underline{\quad} \Rightarrow \underline{165}$
- f) $\underline{\quad} : \underline{2} \Rightarrow \underline{48} - \underline{29} \Rightarrow \underline{\quad}$
- g) $\underline{72} : \underline{\quad} \Rightarrow \underline{24} \times \underline{\quad} \Rightarrow \underline{288}$
- h) $\underline{4} \times \underline{\quad} \Rightarrow \underline{12} : \underline{\quad} \Rightarrow \underline{6}$
- i) $\underline{\quad} \times \underline{4} \Rightarrow \underline{40} : \underline{8} \Rightarrow \underline{\quad}$